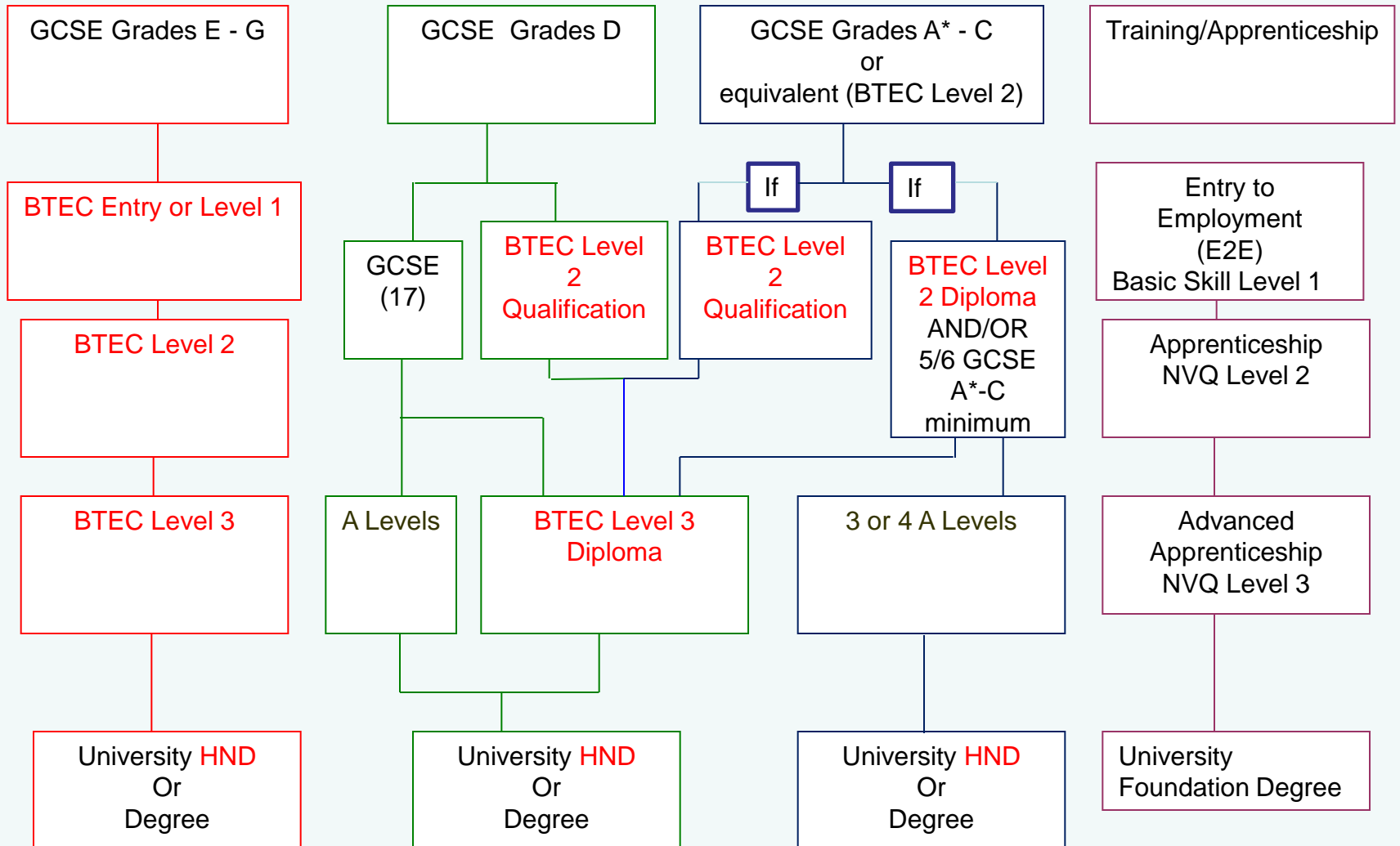


Year 11 Parents / Guardians

Careers Information Evening

Learning Programmes  
and  
Qualification Routes.

Grades Achieved at GCSE and/or BTEC Level 2



# Entry Requirements

- Level 3 Course
  - MINIMUM 5 x A\* - C GCSE.
  - Some A Level subjects require a Grade A at GCSE to study them at this higher level.

And/or

- BTEC Level 2                      Minimum Merit or Distinction

English Language and Mathematics GCSE Grade C or higher is essential.

# Colleges of Further Education

- Adult environment
- Large student population (South Thames College: 21,000)
- Wide range of different courses
- Purpose built facilities
- Co-educational
- Fluid movement of students - full-time, part-time, day release
- Greater independence required

# Vocational Courses

- BTEC Entry or Foundation / Level 1 Courses (City & Guilds or NVQ)
- BTEC Level 2 Courses (City & Guilds or NVQ)
- BTEC Level 3 Courses (City & Guilds or NVQ)

# VOCATIONAL QUALIFICATIONS

## BTEC COURSES

- BTEC Courses are at levels to suit all students.
- BTEC Level 3 course is equivalent to A Level

# Comparing Level 3 Courses

## **A Level**

- 1 A Level =
- 2 A Levels =
- 3 A Levels =

## **BTEC Level 3**

- BTEC Single Award  
(BTEC Subsidiary Diploma)
- BTEC Double Award  
(BTEC Diploma)
- BTEC Triple Award  
(BTEC Extended Diploma)

# Grading Level 3 Courses

## A Level

Grade A\* = 56 UCAS points

Grade A = 48 UCAS points

Grade B = 40 UCAS points

Grade C = 32 UCAS points

Grade D = 24 UCAS points

Grade E = 16 UCAS points

## BTEC Level 3

Distinction\* = 56 UCAS points

Distinction = 48 UCAS points

Merit = 32 UCAS points

Pass = 16 UCAS points



# Vocational Areas of Study 1

- Applied Science
- Art and Design
- Business and Services
- Children and Young People
- Construction and the Built Environment
- Engineering
- Hair and Beauty
- Health and Social Care
- Hospitality and Catering

# Vocational Areas of Study 2

Information Technology

Land-based and Environment

Manufacturing

Media and Communication

Music and Performing Arts

Public Services

Retail and Distributive Services

Sport

Travel and Tourism

# General Courses

- GCSE retake package
- A Levels
- International Baccalaureate
- ESOL

# Level 3 Courses

A student can do

A Levels only

BTEC Level 3 course only

A combination of A Level(s) and BTEC Level 3 course(s)

Combining BTEC Level 3 courses.

# Colleges of Further Education

- South Thames College, including Merton College
- Lambeth College
- Lewisham Southwark College
- Ealing, Hammersmith & West London College
- Croydon College
- Carshalton College
- City of Westminster College
- Kingsway Westminster College
- North East Surrey College of Technology (NESCOT)
- Richmond College
- Kingston College

# Caution

- The BRIT School, St Francis Xavier 6th Form College and Richmond-upon-Thames College are oversubscribed; early application is essential.
- Going to college could incur financial costs
  - examination entries
  - field trips, equipment, books, paper
  - no free school dinners

# Open Days/Evenings

- This term, many colleges and School 6<sup>th</sup> forms will have Open Days/Evenings
- Be selective in the number you visit, if you go at all.
- Recognise that the college/school is marketing itself and will show off the 'best' features.
- Ask questions – exam successes, UCAS support, payment for examination entries...

# Final Word – today.

- The choice is YOURS
- Whatever you choose, make sure that it is the best for you.
  - Where will you best succeed?
- All of you should apply for the 6<sup>th</sup> form and have a place saved for you.
- You can then apply for colleges and other 6<sup>th</sup> forms, if you wish, and delay making your decision until you are ready.
- Whichever one you go to, have the courtesy to let the others know that you are not going to attend their institution.



# Finally

- Open Evenings – visit and ask pertinent questions
  - Class size, how much contact with home (progress reports), examination entry costs, extra costs for books, progression routes at the end of the course
- Get application forms in this term before the courses are all full.
- Limit the number of applications – you can only attend ONE next September!